

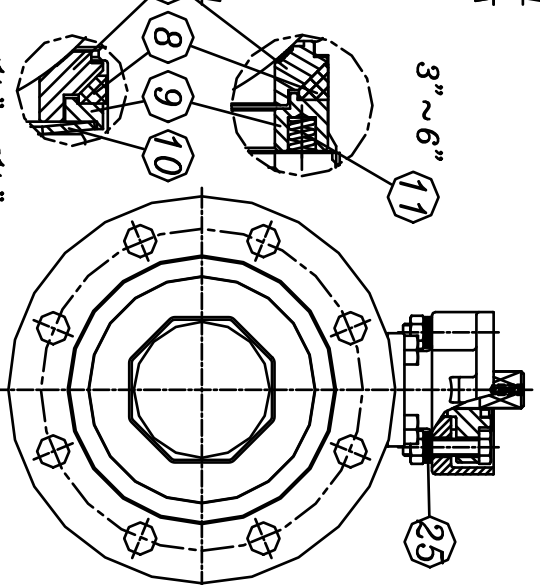
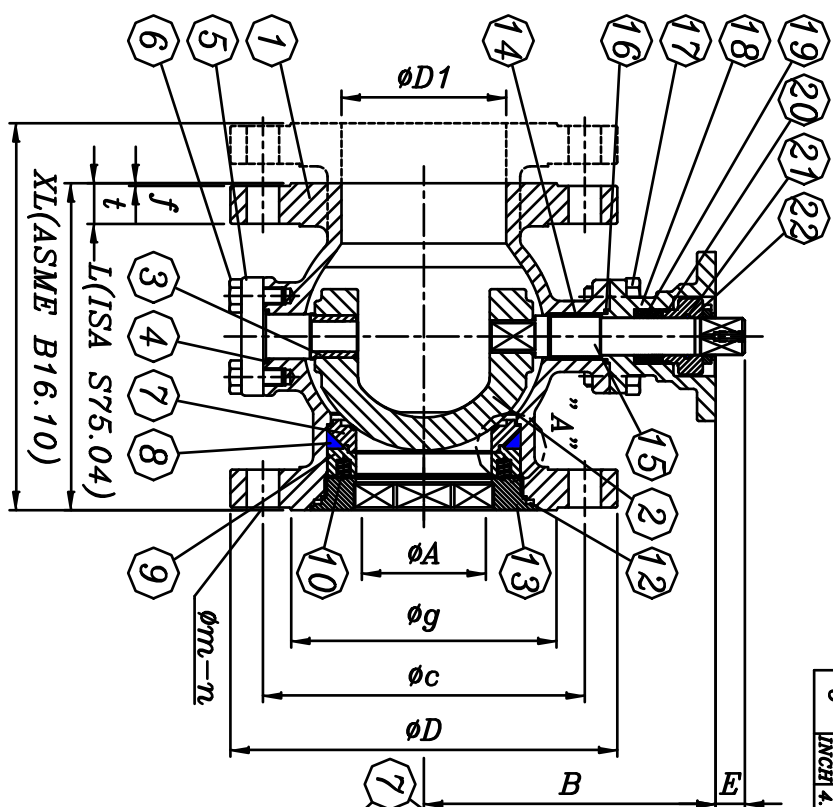
SPECIFICATION

- * Pressure rating : Class 150#
- * Temperature range -20 to 500°F

FEATURES

- * Adjustable stem packing
- * Blow-out proof stem design
- * Iso 5211 direct mounting pad and DIN 3337

UNIT: MM/INCH	SIZE	PLANGE DIMENSIONS (CLASS 150)																		
		A	B	D1	E	F1	F2	d1	d2	H	XL	L	L1	D	c	m	n	t	g	f
1 1/2"	MM	95	108	40	14	50	70	7.0	9.3	14	165.1	114.3	57	127	98.5	15.9	4	14.2	73.2	1.6
	INCH	1.378	4.252	1.575	0.55	1.969	2.756	0.276	0.366	0.551	6.5	4.5	2.244	5.0	3.88	0.626	4	0.56	2.88	0.06
2"	MM	45	112.6	50	14	50	70	7.0	9.3	14	178	124	62	152	120.5	19.1	4	15.7	91.9	1.6
	INCH	1.772	4.433	1.969	0.55	1.969	2.756	0.276	0.366	0.551	7.0	4.88	2.441	6.0	4.75	0.75	4	0.62	3.62	0.06
2 1/2"	MM	54	144.7	63.5	16	70	102	9.3	11.4	14	190	140	79.1	178	139.5	19.1	4	17.8	105	1.6
	INCH	2.126	5.696	2.50	0.59	2.756	4.016	0.366	0.449	0.551	7.5	5.5	3.114	7.0	5.48	0.75	4	0.70	4.13	0.06
3"	MM	66	150.2	82.5	17	70	102	9.3	11.4	17	203	165.1	87	190	152.5	19.1	4	19.1	127	1.6
	INCH	2.589	5.913	3.248	0.67	2.756	4.016	0.366	0.449	0.669	8.0	6.5	3.425	7.5	6.0	0.75	4	0.75	5.00	0.06
4"	MM	80.2	172.7	97.5	17	70	102	9.3	11.4	17	228.6	193.5	102.8	229	190.5	19.1	8	23.9	157.2	1.6
	INCH	3.157	6.799	3.839	0.67	2.756	4.016	0.366	0.449	0.669	9.0	7.6	4.047	9.0	7.5	0.75	8	0.94	6.19	0.06
6"	MM	114	203	153	22	—	102	—	11.4	22	266.7	228.6	124	279	241.5	22.2	8	26.4	215.9	1.6
	INCH	4.488	8.543	6.024	0.87	—	4.016	—	0.449	0.866	10.5	9.0	4.881	11.0	9.5	0.875	8	1.00	8.50	0.06



DETAIL "A"
1 1/2" - 2 1/2"

NO.	NAME OF PARTS	MATERIALS OPTION
1	BODY	A351 Gr. CF8M/A216 Gr. WC3
2	SEGMENT BALL	CF8M(HARDENED)
3	BEARING	17-4(HARDENED)
4	GASKET	GRAPHITE
5	BOTTOM CAP	A351 Gr. CF8M/A216 Gr. WC3
6	BOTTOM CAP BOLTS	SS 304
7	SEAT	SS316+STRELLTED
8	SEAT BACK SEAL	GRAPHITE
9	SEAT HOUSING	SS 316
10	SPRING DISK	INCONEL 750
11	SEAT SPRING	INCONEL
12	INSERT GASKET	GRAPHITE
13	INSERT CAP	A351 Gr. CF8M/A216 Gr. WC3
14	STEM BEARING	17-4(HARDENED)
15	STEM	SS 630(17-4PH)
16	BOUNNET GASKET	GRAPHITE
17	BOUNNET BOLTS	SS 304
18	BOUNNET	A351 Gr. CF8M/A216 Gr. WC3
19	STEM PACKING	GRAPHITE
20	GLAND SEAL	VITON(O-RING)
21	STEM SEAL	VITON(O-RING)
22	GLAND	A351 Gr. CF8
23	STOP PLATE	SS 304
24	GLAND BLOT	SS 304
25	BRETTVILLE WASHER	SS 301

NAME	1 1/2" ~ 6" (Ansi 150 and ISA)	DWG.	Rev.	DATE	Rev.
TYPE	BV147 (Flange End)	CHD.		DATE	
ZIPSON STEEL INDUSTRIAL CO., LTD.			DWG.NO.	147M-000-F01-1	