

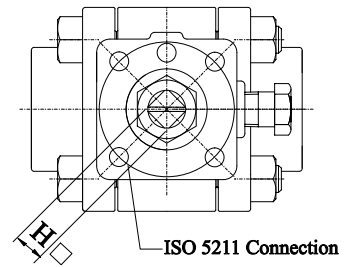


SPECIFICATION

- * CF8 (SS304) or CF8M (Ss316) bonnet
- * Investment casting bonnet
- * Leakage detected port
- * ISO 5211 direct mounting pad on both sides
- * Reliable stem sealing design

OPTION

- * Special alloy is available

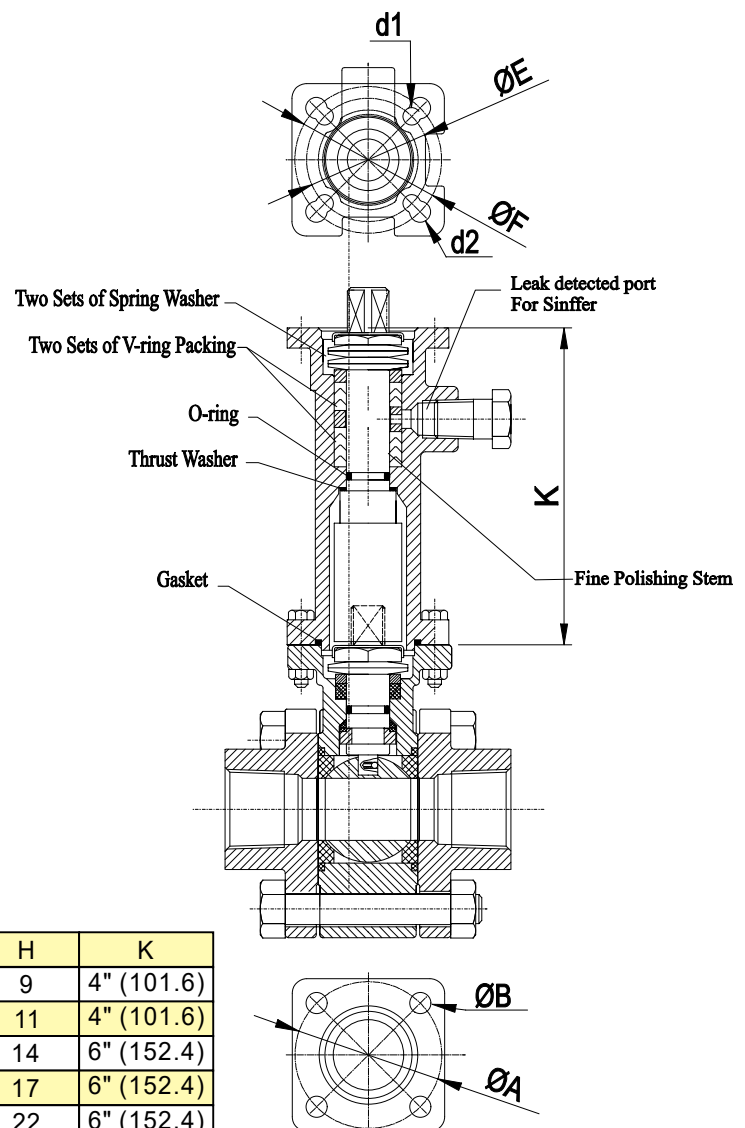


ZIPSON'S fugitive emission bonnet was designed for keeping from fugitive emission leakage from the stem part of valve. The test port design allow the sniffer to detect any fine emission from the bonnet and protect the people and environment.

The bonnet with ISO direct mounting pad on both sides, this easy-assembling design will save your working time and the cost of mounting kits. With 2 sets of SS 301 spring washer, V-ring packing, thrust washer, O-ring provide the reliable sealing ability.

The valve connected side of bonnet is with a gasket (seal) to seal. Just make sure the ISO pad of valve is flat & finishing.

The bonnet can be used as the normal stem extension. Thus, will save the inventory and room of stock.



Fugitive Emission Bonnet

ITEM	A	B	E	F	d1	d2	H	K
F4	42	6	-	42	-	6	9	4" (101.6)
F45	50	7.2	42	50	6	7.2	11	4" (101.6)
F57	70	9.3	50	70	7.2	9.3	14	6" (152.4)
F71	102	11	70	102	9.3	11	17	6" (152.4)
F101	125	13.5	102	125	11	13.5	22	6" (152.4)