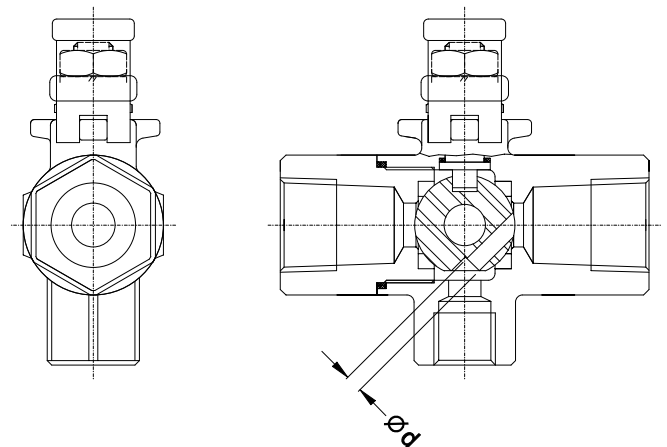
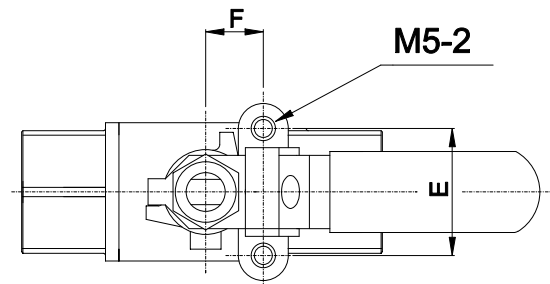


### SPECIFICATION

- \* Body & end caps quality investment casting
- \* Adjustable stem packing
- \* Available in stainless steel or carbon steel
- \* Blow-out proof stem design
- \* 100% air tested under water at 80-100 psi
- \* Working pressure: 2000 psi
- \* Temperature range -20°F to 450°F
- \* with locking function
- \* End type: threaded

### OPTION

- \* Oval handle
- \* Automation application
- \* PEEK seat & thrust washer
- \* PTFE/ PFA coating (40-70 um)
- \* Hastalloy C/ Super duplex/ Alloy 20/ Monel



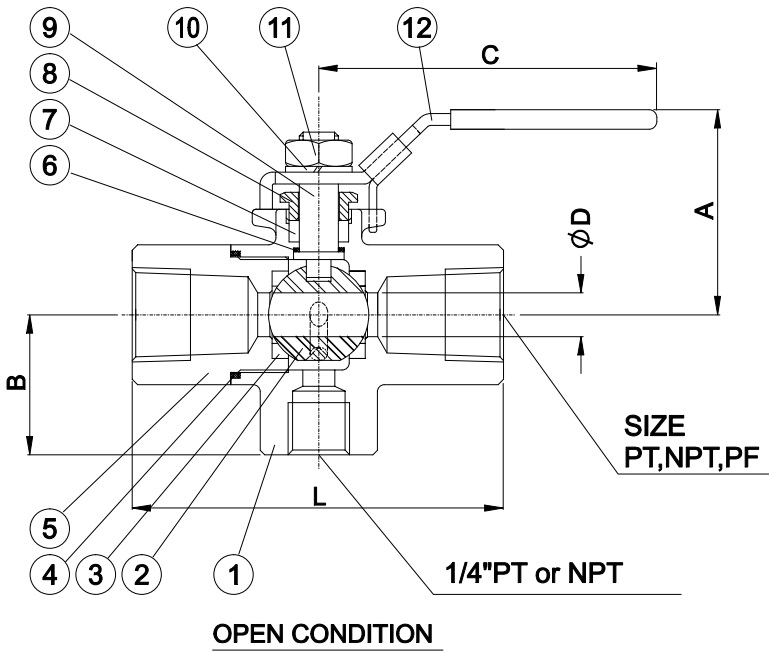
**CLOSE CONDITION**

ZIPSON'S 502T, sampling ball valve is well designed for most of the industrial pipe line for the application of media sampling. The 2000psi (PN135) working pressure will fit most of the piping works.

1/2" & 3/4" size valves are offering at present. Other sizes are available as required for different size pipe line.

The standard seats & thrust washer material are TFM4215, it's TFM1600 with 25% carbon fiber. With Graphite gasket & stem packing to avoid any accident situation for external leakage.

The other option material is PEEK For higher temperature application up to 260°C.



## MATERIALS LIST

ITEM	PART NAME	MATERIALS
1	BODY	CF8M
2	BALL	SS 316
3	SEAT	TFM4215/ PEEK
4	GASKET	GRAPHITE
5	END CAP	CF8M
6	THRUST WASHER	TFM4215/ PEEK
7	STEM PACKING	GRAPHITE
8	GLAND	SS 304
9	STEM	SS 316
10	DISK WAHSER	SS 301
11	HANDLE NUT	SS 304
12	HANDLE	SS 304
13	SLEEVE	PLASTIC

## DIMENSIONS (mm)

SIZE	A	B	C	D	E	F	L	d
1/2"	45	31	122	9.5	28	12.7	70.5	3.8
3/4"	49	33.5	122	14.5	28	12.7	74.5	3.8

## PRESSURE/ TEMPERATURE

