

FOR ZIPSON'S 2/3-WAY BALL VALVES  
SIZE: 1/4"-4"



ZIPSON'S SH01, spring return handle (also called dead man handle) was well designed as heavy duty type for very long term operation. The most characteristic of SH01 is with locking device.

The SH01 is designed to mount upon the ISO 5211 direct mounting pad. This will be very convenient for user to replace the handle from normal type to SH01, and repair the handles after long term operation without throwing the whole valve set. And it's very economic to stock the spring handles only.

SH01-40 is a new design type spring handle with is with 100 Nm for larger sizes valve. The SH01-40 complete the valve with spring handle from 1/4" to 4".

SH01 is suitable for ZIPSON'S valves, especially for the following 2-way ball valves & small size 3-way valves,

- 201D, 2-piece ball valve
- 302F, 3-piece ball valve
- 305D, 3-piece ball valve, 2000 WOG
- 302S, 3-piece sanitary ball valve
- 207S, 2-piece flanged ball valve
- 110F & 110T, top-entry ball valve
- 501S, 3-way ball valve

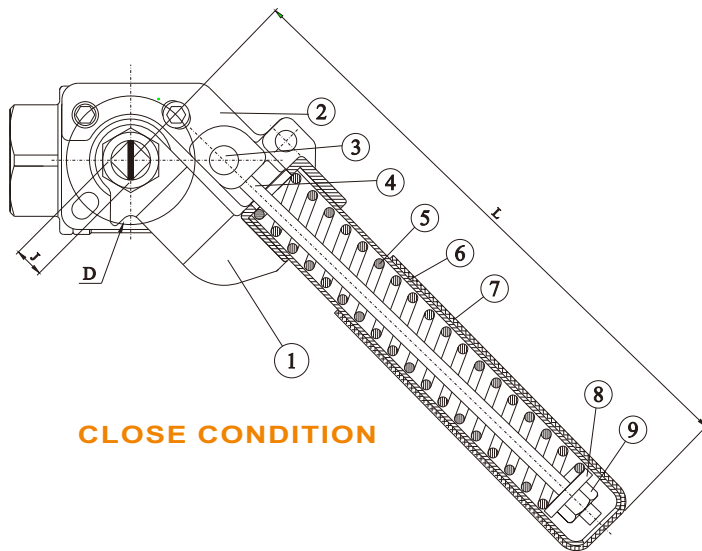
That's allow users wisely to stock valve & spring handle separately.

### SPECIFICATION

- \* ZIPSON PATENTED
- \* easy assembling
- \* with locking function
- \* heavy duty design
- \* for ISO 5211 direct mounting pad & DIN 3337 stem
- \* suitable valve size 1/4" to 4"

### OPTION

- \* Blank handle head for customized stem connection.

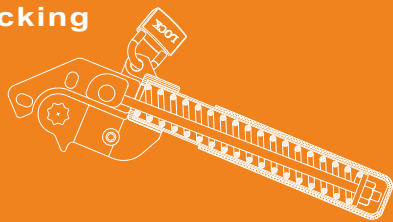


CLOSE CONDITION

### MATERIALS LIST

ITEM	PART NAME	MATERIALS
1	HANDLE HEAD	CF8
2	ANCHOR	Cf8
3	ANCHOR SCREW	SS 304
4	SPRING ROD	SS 304
5	SPRING	SPRING STEEL
6	HANDLE EXTENSION	SS 304
7	SLEEVE	PVC
8	WASHER	SS 304
9	HEX NUT	SS 304

#### Sh01 with locking



**DIMENSIONS (mm)**

SIZE	L	J	D (ISO5211)	TORQUE
SH01-10	170	9	F03/F04	15 Nm
SH01-15	207	9	F03/F04	20 Nm
SH01-20	220	11	F04/F05	20 Nm
SH01-25	275	11	F04/F05	30 Nm
SH01-30	280	14	F05/F07	30 Nm
SH01-35	450	14	F05/F07	55 Nm
SH01-40	500	17/ 22	F10/F12	100 Nm

**SH01-40 WITH 4" VALVE**