

800/ 600 PSI

SIZE: 1/4"-3"



710C Spring Check Valve, with different cracking pressure spring

ZIPSON's 710C spring check valve is designed for single direction flow control of gas, steam or various of fluid. The spring check valve can be set in vertical or other degrees on the pipe line to provide very flexible usage.

The 710C valve is based on CF8M (SS 316) material for long term operation to various of industries such as chemical, oil & gas, pulp & paper, pharmaceutical, and power.

For corrosion resistant requirement, 710C can be with Inconel spring and special alloy body/ disk for option. The 710C valve also offer springs for different cracking pressure.

SPECIFICATION

- * Available in stainless steel
- * Body & end are investment casting
- * Low cracking pressure
- * Suitable for Chemicals and Steam.
- * 100% air pressure test under water at 80 psi
- * Pressure Ranges:
 - 1/2" to 2", 800 psi
 - 2-1/2" to 3", 600 psi

OPTION

- * Different cracking pressure spring
- * Inconel Spring
- * Special alloy available (with Inconel spring)

VALVE DESIGN FEATURES

Body & End Cap

Investment casting CF8M
Alloy materials are available
* 1/4" to 2", 800 psi
* 2-1/2" & 3", 600 psi

Spring

Low cracking pressure
Inconel spring & different
cracking pressure are
available

Slide Pin

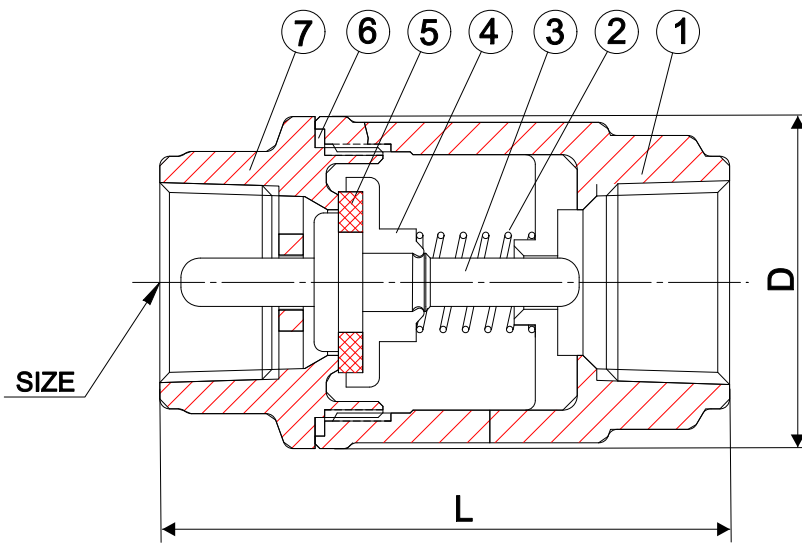
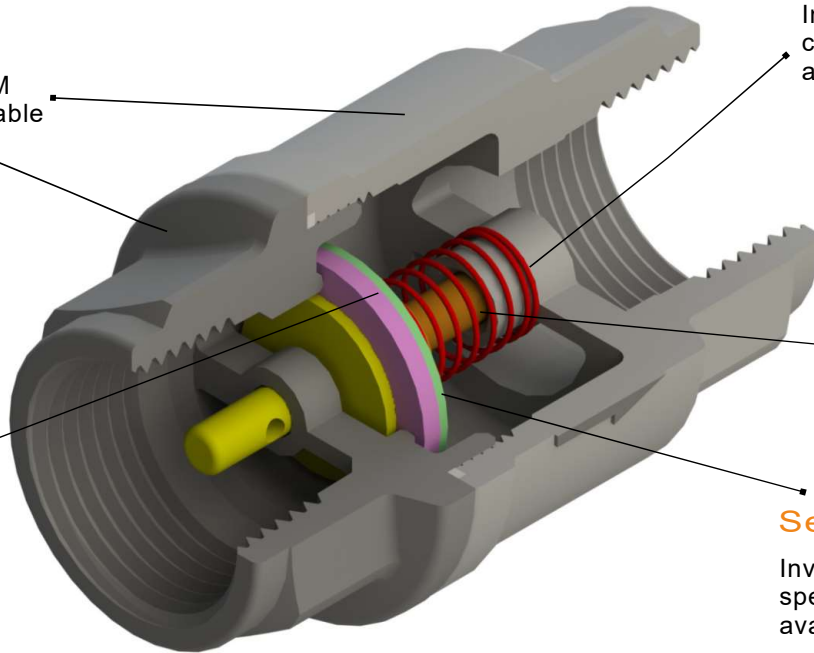
Investment casting,
special alloys are
available

Seat

PTFE is standard
material, others are
available as required

Seat Hold

Investment casting,
special alloys are
available



DIMENSIONS (mm)

SIZE	D	L
1/4"	34.2	57(2.24")
3/8"	34.2	57(2.24")
1/2"	34.2	59(2.32")
3/4"	45.0	73(2.87")
1"	53.0	88.9(3.50")
1-1/4"	62.5	106.2(4.18")
1 1/2"	75.5	125(4.92")
2"	96.0	152.3(6.00")
2-1/2"	115.0	180.8(7.12")
3"	133.5	206.5(8.13")

MATERIALS LIST

ITEM	PART NAME	MATERIALS
1	BODY	CF8M/ ALLOY
2	SPRING	SS 316/ INCONEL
3	SLIDE PIN	CF8M/ ALLOY
4	SEAT HOLD	CF8M/ ALLOY
5	SEAT	PTFE/ TFM
6	GASKET	PTFE
7	END CAP	CF8M/ ALLOY

PRESSURE/ TEMPERATURE

