

7500 & 6000WOG/ PN 517 & PN413
SIZE: 1/4"-2"



ZIPSON'S 316F, 3-piece high performance ball valve ,7500 psi (designed according to Class 3000 & 2500,) was designed for the very high pressure industrial pipe line in full port product.

316F valve was made by bar stock in both 316 & WCB. The bar stock will provide perfect mechanical properties in this 7500 psi valve. There will be a option for ends on SS 316 valve in 1-1/2" & 2" can be made by casting (CF8M) to save some cost.

To compare the economic valve in the market, Zipson make valve structure & wall thickness totally follow ASME B16.34 standard. The exact structure make safe in the high performance application.

3-piepee design is for in-line repairable function. Without special tooling, the user can replace & cleanse the component easily. This will save much time to shut down, and decrease the cost or time.

The standard seat material was settled on PEEK (450G) & DELRIN (POM). PEEK is available for higher temperature pipe line & DELRIN is for low temperature environment.

316F high performance are full bore from 1/4" to 2" (DN08-DN50). V-ball for ball valve type control valve are available for slot, 15°, 60°, or 90° for different flow rate requirement.

Another option on 316F is fire safe design with SS seat housing designed in accordance with API607 Edition 4.

The locking device of 316F is available lock in both open and close conditions.

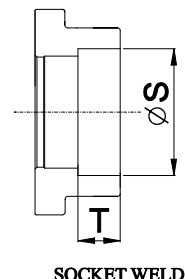
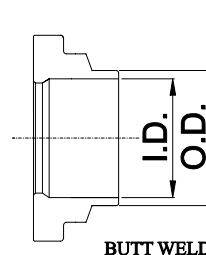
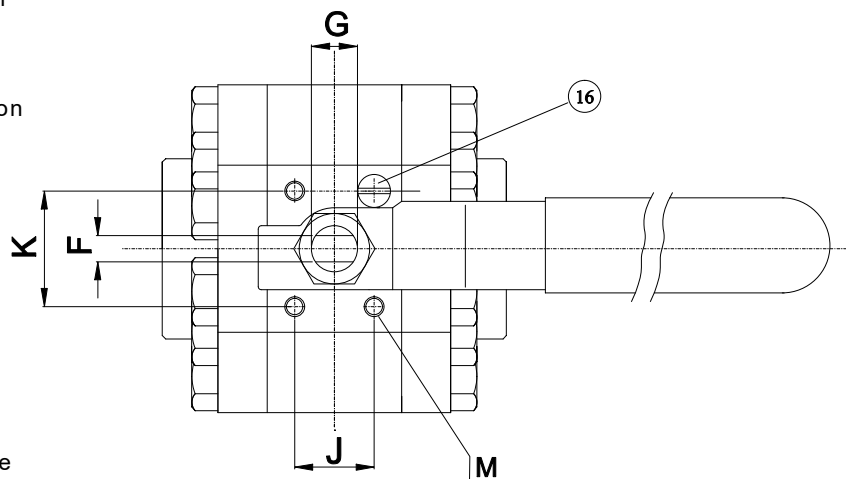
Automation is available in 316F as well. To mount a bracket & adaptor, the valve will be operated by both pneumatic & electric power.

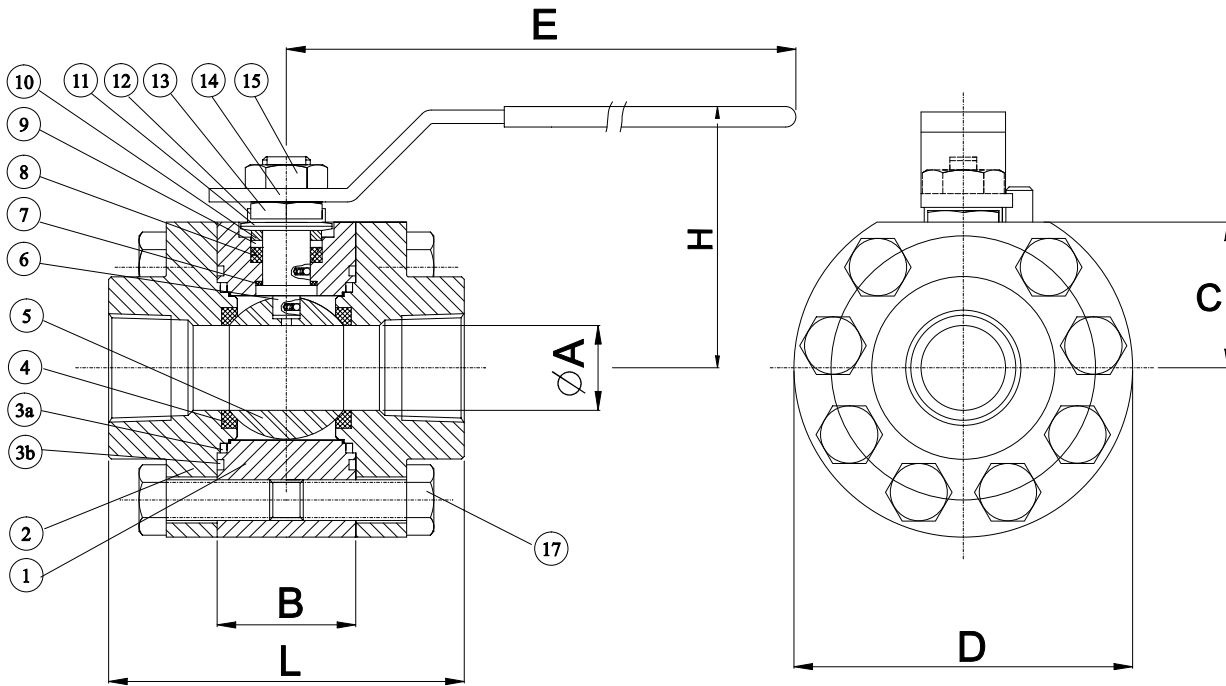
SPECIFICATION

- * Body & end caps are machined by bar stock.
- * Valve construction & wall thickness totally with ASME B16.34 standard
- * Class range:
 - 7500 psi (Class3000) for 1/4" to 1"
 - 6000 psi (Class2500) for 1-1/4" to 2"
- * Full bore design
- * In-line repairable design
- * with 4 holes for mounting bracket
- * Adjustable stem packing
- * Available in stainless steel or carbon steel
- * Blow-out proof stem design
- * **CRN Register**
- * End type: threaded/ socket weld/ butt weld
- * End type: Extended SW/ BW (Sch.80/ Sch.160)

OPTION

- * Fire safe design (with SS housing)
- * Locking device (both on open & close conditions)
- * V-ball for control valve (ball valve type)
- * Automation application
- * **SS seat protector to keep from seat erosion**
- * Special Alloy
 - Hastalloy C 276/ Super duplex/ Alloy 20/ Monel 400



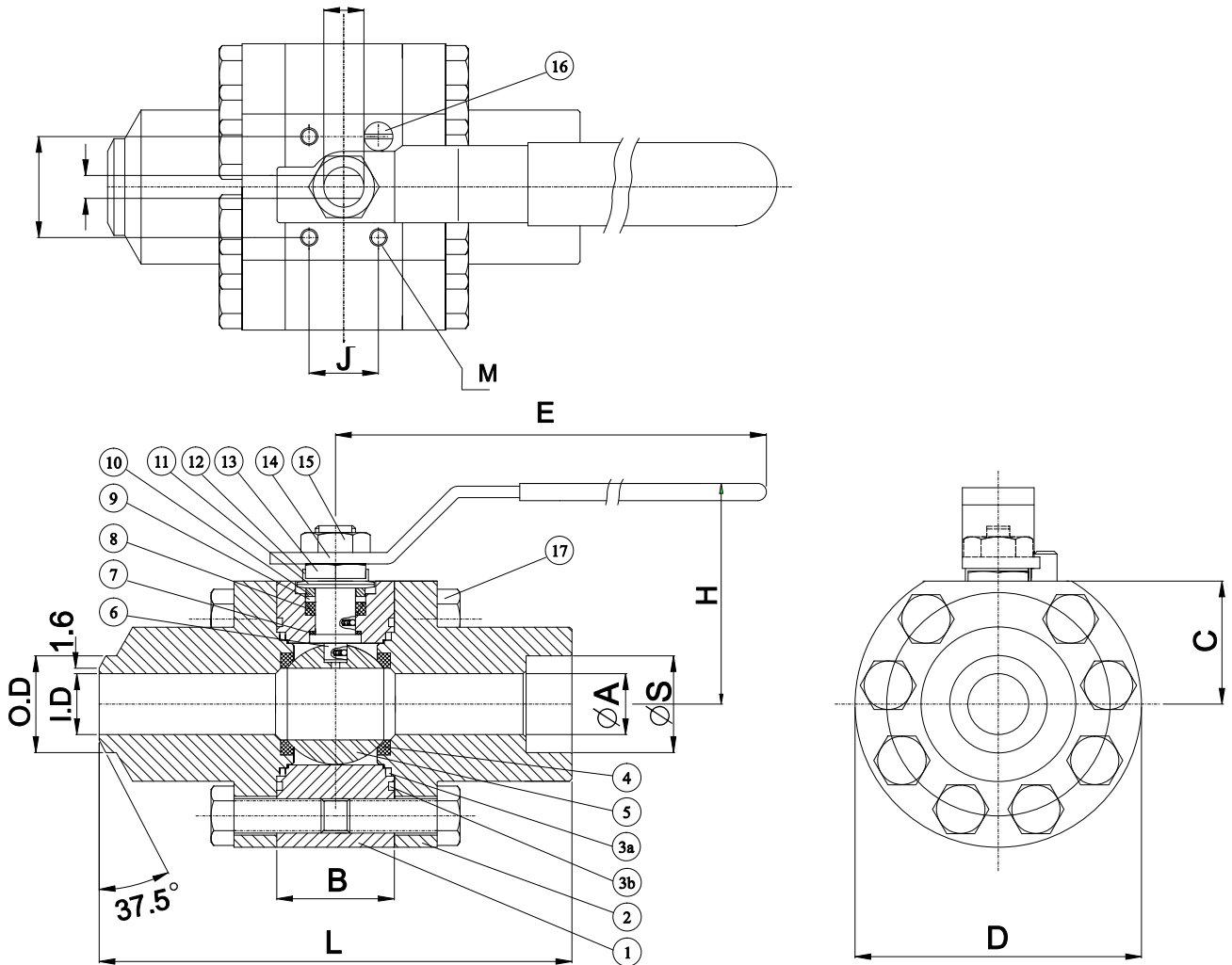


MATERIALS LIST

NO.	NAME OF PARTS	MATERIALS	
1	BODY	Stainless St. 316	Carbon St. A1020
2	END CAP	Stainless St. 316	Carbon St. A1020
3a	GASKET	TFM / Graphite	TFM / Graphite
3b	SECONDARY GASKET	TFM	TFM
4	BALL SEAT	PEEK / DELRIN	PEEK / DELRIN
5	BALL	Stainless St. 316	Stainless St. 316
6	STEM	SS 17-4PH	SS 17-4PH
7	THRUST WASHER	PEEK	PEEK
8	STEM PACKING	TFM / Graphite	TFM / Graphite
9	PACKING PROTECTOR	PEEK	PEEK
10	GLAND HOUSING	SS 304	SS 304
11	DISK WASHER	SS 301	SS 301
12	NUT STOP	SS 304	SS 304
13	STEM NUT	SS 304	SS 304
14	HANDLE	SS 304	SS 304
15	HANDLE NUT	SS 304	SS 304
16	STOP PIN	SS 304	SS 304
17	BODY BOLTS	A193 Gr.B8	A193 Gr.B7

DIMENSIONS (mm)

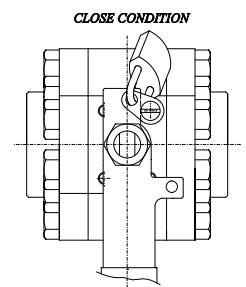
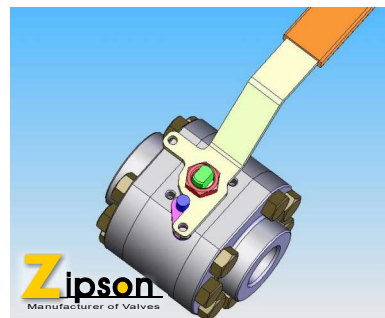
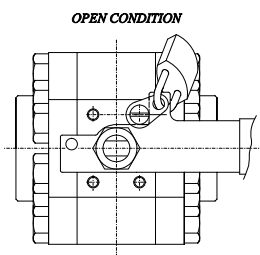
SIZE	A	B	C	D	E	F	G	H	L	OPTION			SW		BW (80#)	
										J	K	M	S	T	OD	ID
1/4"	11	20.6	27	74	175	6.3	3/8	45	66	-	-	M5	14.2	11.1	13.8	7.8
3/8"	12.5	20.6	27	74	175	6.3	3/8	45	66	-	-	M5	17.5	11.1	17.2	10.2
1/2"	15	25.6	32	79	175	6.3	3/8	48	71	13	27	M5	21.8	12.7	21.4	13.8
3/4"	20	32	38	94	200	8.0	M12	63	92	19	30	M5	27.1	13.0	26.7	18.9
1"	25	41	43	99	250	9.7	M14	69	106	23	42	M5	33.8	13.0	33.4	24.3
1 1/2"	38	56	55	145	290	9.7	M18	82	140	40	58	M6	48.6	16.0	48.5	38.0
2"	50	72	76	189	350	12.0	M20	145	165	50	90	M10	61.1	16.0	60.5	48.9



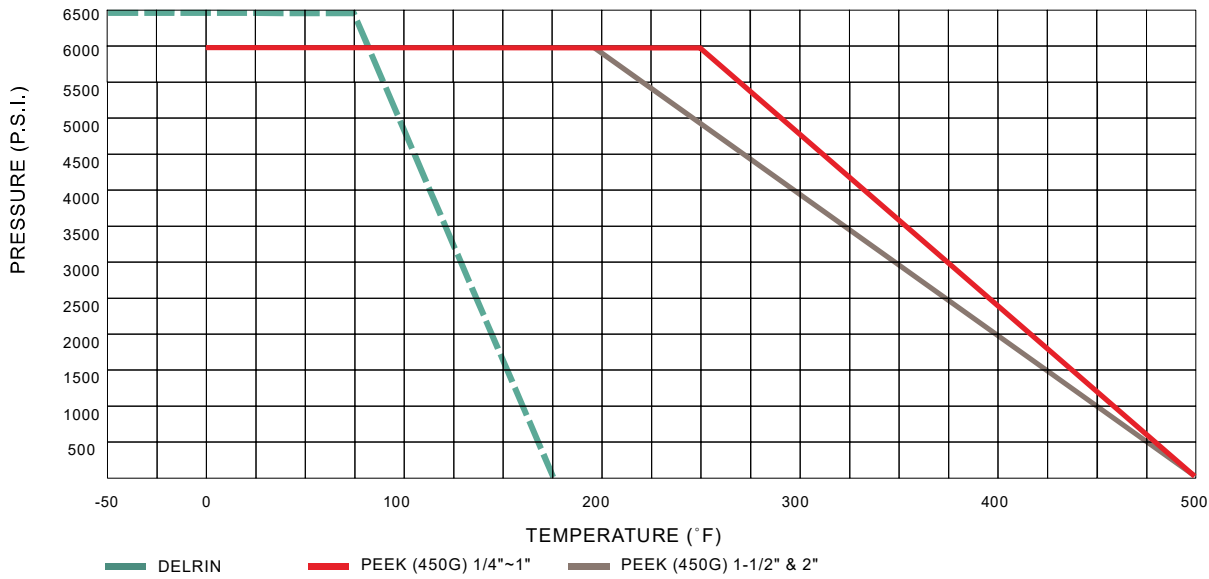
DIMENSIONS (mm) for Extended Welding Ends

SIZE	A		OPTION			SW		BW (80#)		BW (160#)	
	SCH80	SCH160	J	K	M	S	T	OD	ID	OD	ID
1/4"	9.0	6.5	-	-	M5	14.2	11.1	13.8	7.8	-	-
3/8"	12.5	9.0	-	-	M5	17.5	11.1	17.2	10.2	-	-
1/2"	16.0	11.5	13	27	M5	21.8	12.7	21.4	13.8	21.4	11.8
3/4"	21.0	15.5	19	30	M5	27.1	13.0	26.7	18.9	26.7	15.6
1"	25.5	20.5	23	42	M5	33.8	13.0	33.4	24.3	33.4	20.8
1 1/2"	41.0	34.0	40	58	M6	48.6	16.0	48.5	38.0	48.5	34.0
2"	52.5	43.5	50	90	M10	61.1	16.0	60.5	48.9	60.5	42.8

LOCKING DEVICE (HANDLE LOCK)



PRESSURE/ TEMPERATURE



TORQUE (Nm)

SIZE	SEAT	0 PSI	1000 PSI	2000 PSI	3000 PSI	4000 PSI	5000 PSI	6000 PSI
1/4"	PEEK & DELRIN	11.5	11.5	11.5	13	14	15	16
3/8"	PEEK & DELRIN	11.5	11.5	11.5	13	14	15	16
1/2"	PEEK & DELRIN	11.5	11.5	11.5	13	14	15	16
3/4"	PEEK & DELRIN	25	26	26	26	31	36	44
1"	PEEK & DELRIN	45	47	55	62	67	74	83
1 1/2"	PEEK & DELRIN	66	68	71	78	90	101	110
2"	PEEK & DELRIN	180	200	205	210	220	228	240

Note 1: Strongly suggest increasing at least 30%~40% as safety factor for choosing actuator.

ACTUATION



**HANDLE WITH
LIMIT SWITCH
BOX**



**216T,
2-PC HIGH
PRESSURE
BALL VALVE**

