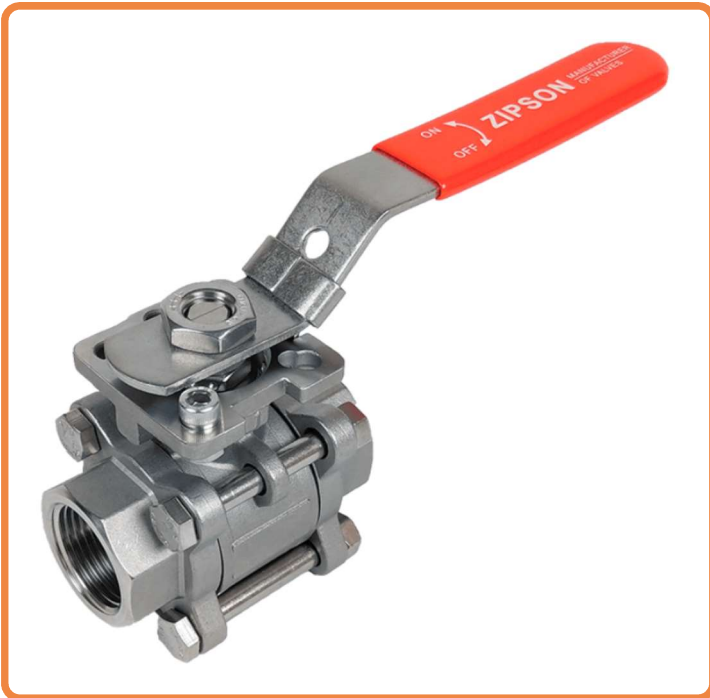


1000 & 800 WOG/ PN 63 & 55  
SIZE: 1/4"-6"



ZIPSON'S 302F, 3-piece ball valve with ISO direct mounting pad is designed for most of the industrial pipe line as full bore and red. bore (5" & 6") products.

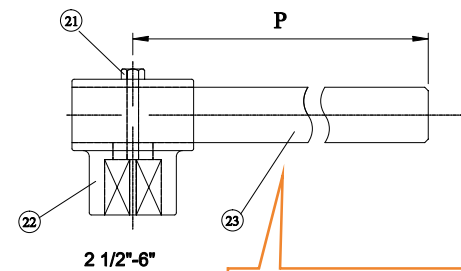
The stem sealing design is for high performance with ISO15848 (150°C) and TA-Luft approval. The ends types can be Thread/ Socket Weld/ Butt Weld. 3-piece ball valve is well designed for reparation on-line. Different material of body/ end & soft kits will be applicable for different working circumstance.

### SPECIFICATION

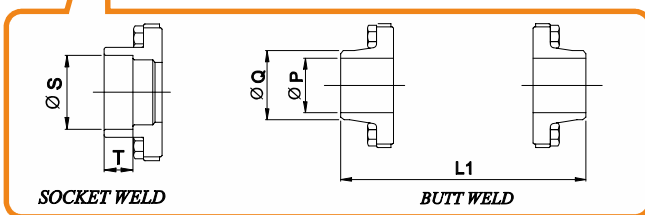
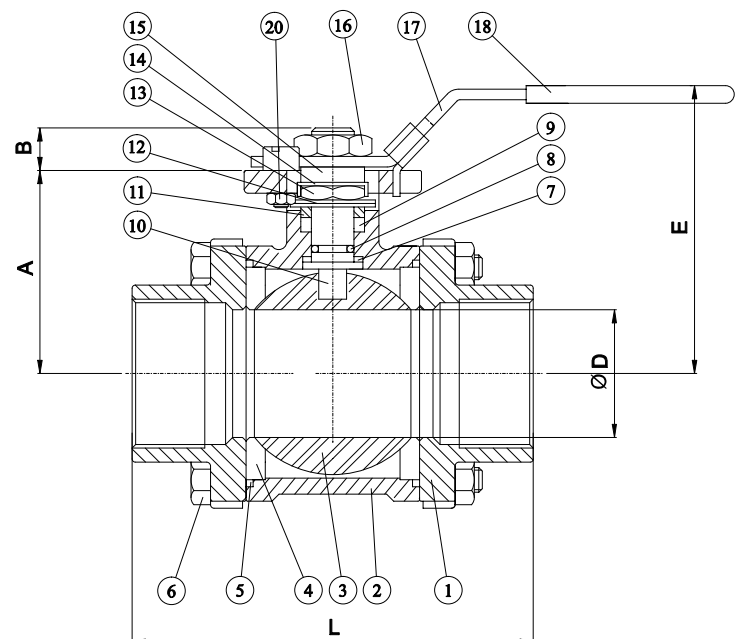
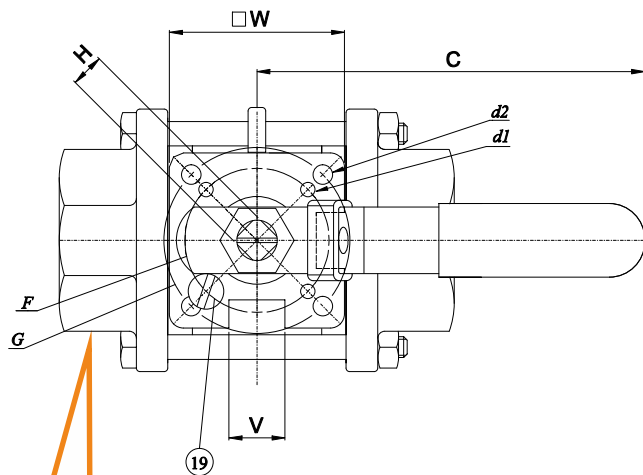
- \* Body & end caps quality investment casting
- \* with ISO 5211 direct mounting pad
- \* Adjustable stem packing, high performance design
- \* Available in stainless steel or carbon steel
- \* Blow-out proof stem design
- \* 100% air tested under water at 80-100 psi
- \* Working pressure: 1000/ 800 psi
- \* Temperature range -20°C to 400°C
- \* with locking function
- \* End type: threaded, socket weld, butt weld

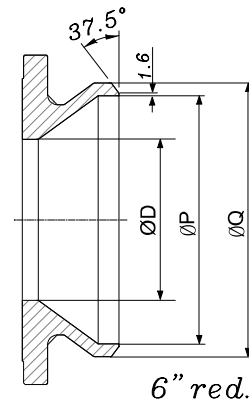
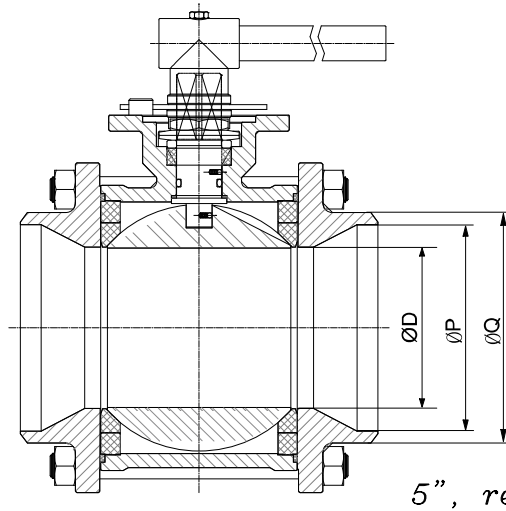
### OPTION

- \* Spring handle (dead man handle)
- \* Oval handle
- \* Automation application
- \* handle with limit switch box
- \* Extended bonnet for isolation
- \* PTFE cavity filler
- \* V-ball for control valve in 15°, 30°, 60°, 90°, slot
- \* Hastalloy C/ Super duplex/ Alloy 20/ Monel



From 2-1/2" with pipe handle, for long term & smooth usage.





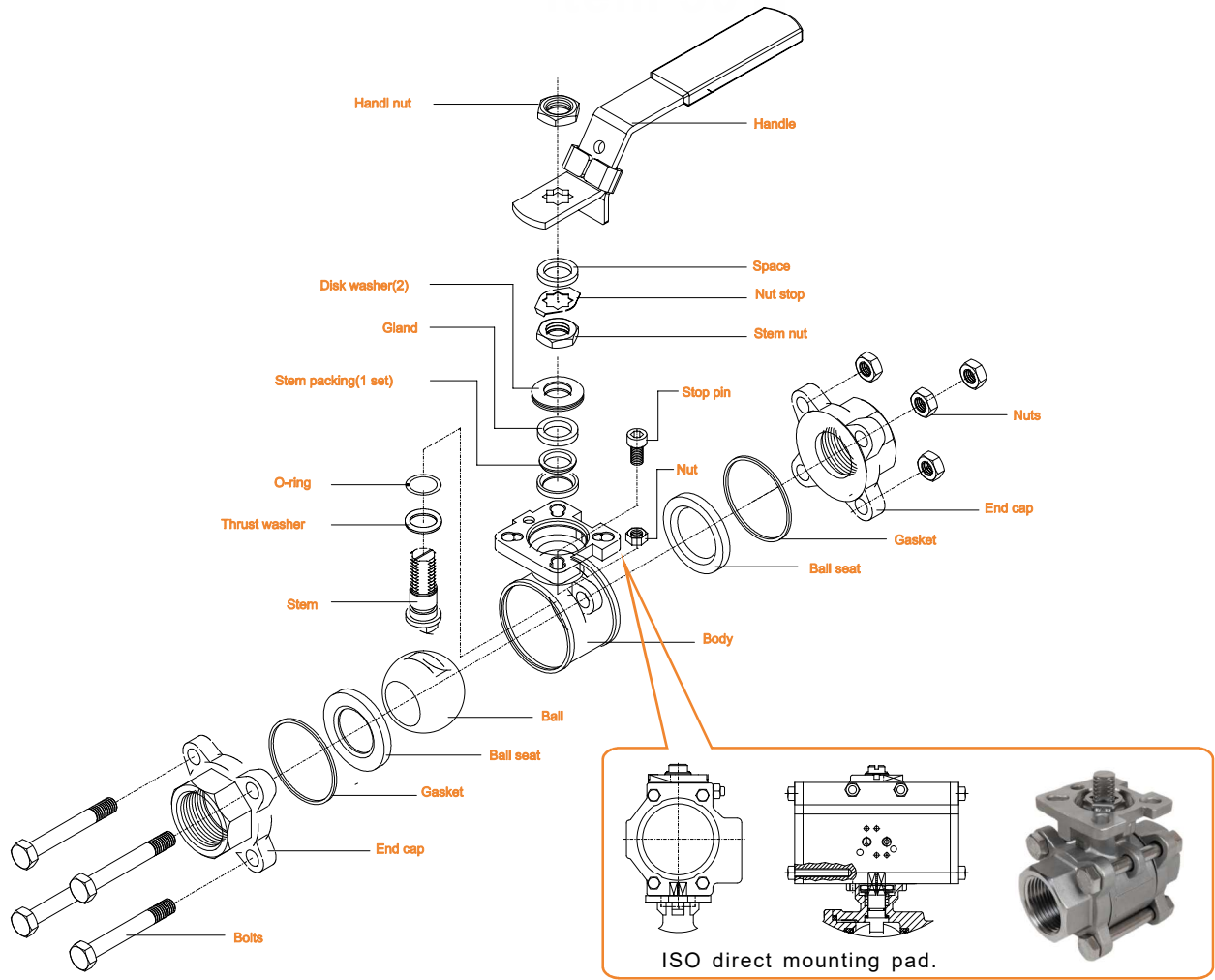
## DIMENSIONS (mm)

SIZE	A	B	C	D	d1	d2	E	F	G	H	L	S	T	P	Q	L1	V	W
1/4"	37	11	130	11	6.0	6.0	58	36	42	9	60.5	14.2	11.1	10	17	60.5	19	44
3/8"	37	11	130	12.5	6.0	6.0	58	36	42	9	60.5	17.5	11.1	13.1	19	60.5	19	44
1/2"	37	11	130	15	6.0	6.0	58	36	42	9	63.5	21.8	12.7	15.5	21.5	63.5	19	44
3/4"	40	11	130	20	6.0	6.0	64	36	42	9	75.5	27.1	14.3	20.6	27.5	75.5	19	44
1"	48	14	155	25	6.0	7.0	77	42	50	11	86	33.8	15.9	26.7	34.5	86	24	52
1 1/4"	53.5	14	155	32	6.0	7.0	83	42	50	11	96	42.5	17.5	35.1	42.8	104	24	52
1 1/2"	63.5	18	205	38	7.0	9.0	92	50	70	14	111	48.7	19.1	40.5	49	117	28	53
2"	72	18	205	50	7.0	9.0	100	50	70	14	129	61.1	22.2	52.4	61	138	28	53
2-1/2"	92	22	290	65	9.0	11.3	140	70	102	17	152.5	73.9	22.2	65	77	170	-	-
3"	102	22	290	80	9.0	11.3	150	70	102	17	168.5	89.9	25.4	80	91	192	-	-
4"	132	26	335	100	11.3	13.5	195	102	125	22	212.5	115.2	32	100	115	226	-	-
5", red	132	26	350	100	11.3	13.5	195	102	125	22	-	-	-	128.1	143	242	-	-
6", red	132	26	350	100	11.3	13.5	195	102	125	22	-	-	-	154.1	170	262	-	-

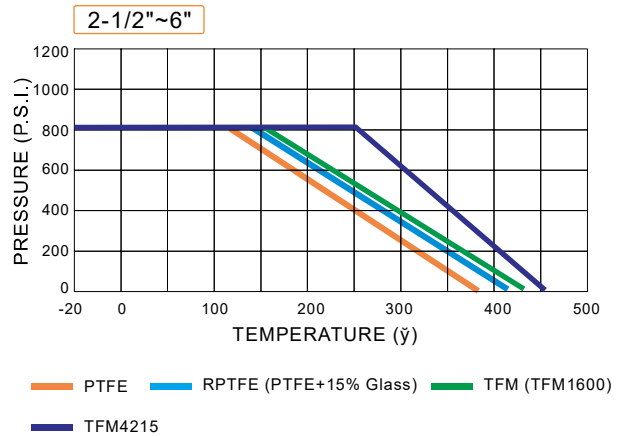
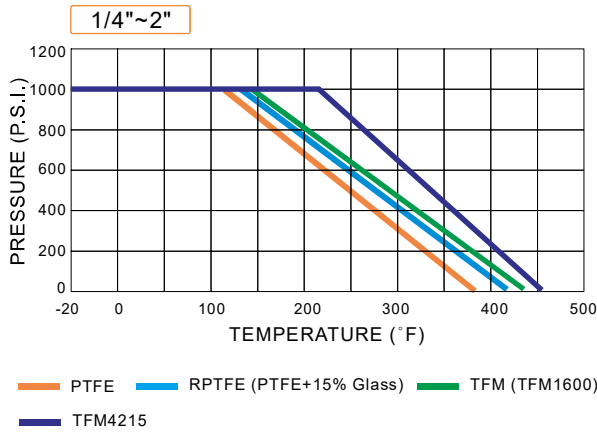
## MATERIALS LIST

ITEM	PART NAME	MATERIALS
1	END CAP	CF8M
2	BODY	CF8M
3	BALL	CF8M
4	SEAT	PTFE
5	GASKET	PTFE
6	BOLTS	SS 304
7	THRUST WASHER	RPTFE
8	O-RING	VITON
9	STEM PACKING	PTFE
10	STEM	SS 316
11	GLAND	SS 304
12	DISK WAHSER	SS 301

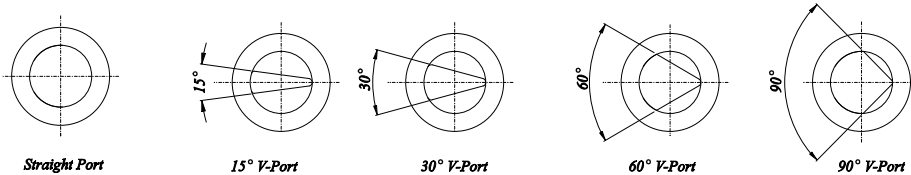
ITEM	PART NAME	MATERIALS
13	STEM NUT	SS 304
14	NUT STOP	SS 304
15	SPACE WASHER	SS 304
16	HANDLE NUT	SS 304
17	HANDLE	SS 304
18	HANDLE COVER	PLASTIC
19	STOP PIN	SS 304
20	NUT	SS 304
21	SET BOLT	SS 304
22	LEVER HEAD	CF8
23	LEVER	STEEL PIPE



## PRESSURE/ TEMPERATURE



## V-BALL FOR MODULATING CONTROLLER



Straight Port

15° V-Port

30° V-Port

60° V-Port

90° V-Port

## BREAK-TORQUE VALUE (Nm/ at 0 psi)

SIZE	1/4"	3/8"	1/2"	3/4"	1"	1 1/4"	1 1/2"	2"	2-1/2"	3"	4"-6"
GREASE	3.5	3.5	5	5.5	7	11	17	23	35	46	72
NON-GREASE	5	5	6	7	9.5	16	27	30	68	85	105

Note 1: The greases ZIPSON use including lubricant & anti-seize grease are both SILICONE-FREE.

Note 2: Strongly suggest increasing at least 30%~40% for safety factor for mounting actuator.

## OPTIONS ON 302F TYPE



- Manual valve with limit switch box (special bracket)



- Valve with SH01-spring handle (dead-man handle)

### Suggestion!

- As dismantle the ball valve, don't forget to replace new Repair Kits, especially the gasket to prevent from leaking.
- Before welding the valves, make sure the ends were dismantled. And welding the dismantled ends. After all the ends be cool, assemble the ends & use new gasket to prevent from leaking.