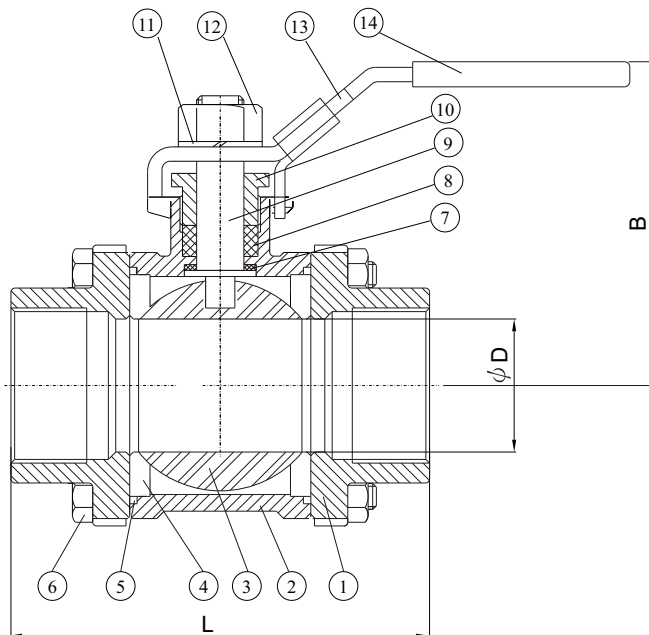


1000WOG/ PN 63
SIZE: 1/4"-2"



ZIPSON'S 301F, 3-piece ball valve is designed for most of the industrial pipe line as full port product. The ends types can be Thread/ Socket Weld/ Butt Weld. 3-piece ball valve is well designed for reparation on-line. Different material of soft kits will be applicable for different working circumstance.

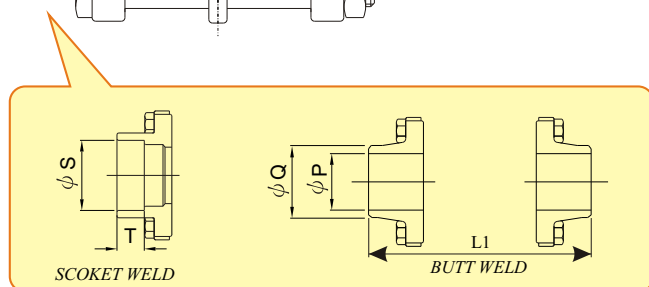
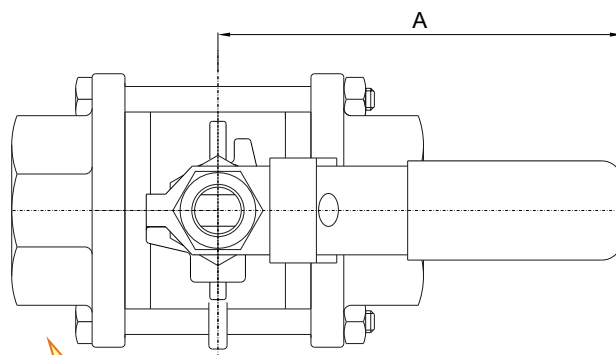
301F type is only for manual operation. For operating by actuator was suggested 302F, with ISO direct mount type.

SPECIFICATION

- * For chemical and industrial applications
- * Blow-out proof stem design
- * 100% air tested under water at 80-100 psi
- * Working pressure: 1000 PSI
- * Temperature range -20°F to 450°F
- * End type: Threaded/ Socket Weld/ Butt Weld

OPTION

- * Locking device
- * Oval handle
- * Butterfly handle



DIMENSIONS (mm)

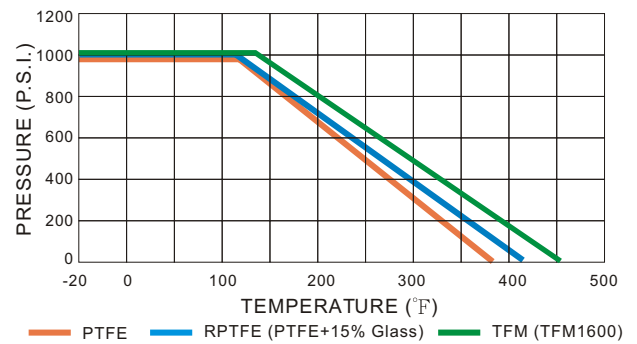
| SIZE | A | B | D | L | S | T | P | Q | L1 | W (kg) |
|--------|-----|----|------|------|------|------|------|------|------|--------|
| 1/4" | 122 | 47 | 11 | 56.4 | 14.2 | 11.1 | - | - | - | 0.36 |
| 3/8" | 122 | 47 | 12.5 | 56.4 | 17.5 | 11.1 | - | - | - | 0.36 |
| 1/2" | 122 | 49 | 15 | 63.5 | 21.8 | 12.7 | 15.5 | 21.5 | 63.5 | 0.48 |
| 3/4" | 142 | 55 | 20 | 75.5 | 27.1 | 14.3 | 20.6 | 27.5 | 75.5 | 0.84 |
| 1" | 164 | 71 | 25 | 86 | 33.8 | 15.9 | 26.7 | 34.5 | 86 | 1.1 |
| 1 1/4" | 164 | 76 | 32 | 96 | 42.5 | 17.5 | 35.1 | 42.8 | 104 | 1.78 |
| 1 1/2" | 212 | 83 | 38 | 111 | 48.7 | 19.1 | 40.5 | 49 | 117 | 2.54 |
| 2" | 212 | 94 | 50 | 129 | 61.1 | 22.2 | 52.4 | 61 | 138 | 4.12 |

MATERIALS LIST

| ITEM | PART NAME | MATERIALS |
|------|---------------|-----------|
| 1 | END CAP | CF8M |
| 2 | BODY | CF8M |
| 3 | BALL | SS 316 |
| 4 | SEAT | PTFE |
| 5 | GASKET | PTFE |
| 6 | BOLTS | SS 304 |
| 7 | THRUST WASHER | RPTFE |
| 8 | STEM PACKING | PTFE |
| 9 | STEM | SS 316 |
| 10 | GLAND | SS 304 |
| 11 | SPRING WASHER | SS 304 |
| 12 | STEM NUT | SS 304 |
| 13 | HANDLE | SS 304 |
| 14 | SLEEVE | PLASTIC |

Note: The greases ZIPSON use including lubricant & anti-seize grease are both SILICONE-FREE.

PRESSURE/ TEMPERATURE



Suggestion!

1. As dismantle the ball valve, don't forget to replace new Repair Kits, especially the gasket to prevent from leaking.
2. PTFE is better than RPTFE (+15% Glass) as operate the valve by actuator, for Glass fiber will hurt the ball and cause the torque value increasing after over 500 times operation. Another good option is TFM or PTFE+25% Carbon.
3. Before welding the valves, make sure the ends were dismantled. And welding the dismantled ends. After all the ends be cool, assemble the ends & use new gasket to prevent from leaking.