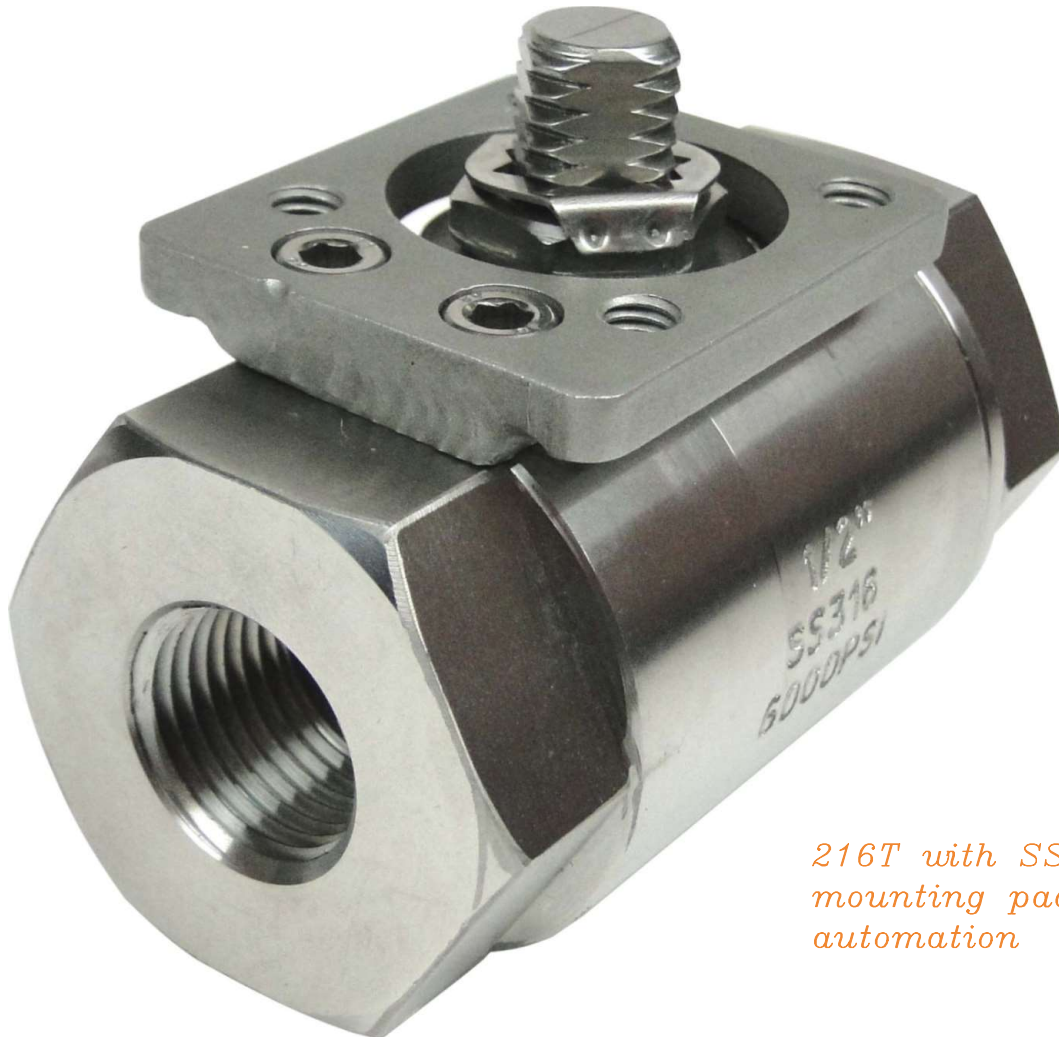


7500/ 6000 PSI

SIZE: 1/4"-2"



*216T with SS ISO  
mounting pad for  
automation*

ZIPSON's 216T, 2-pc high pressure ball valve with 7500/ 6000 psi pressure rating designed for high pressure industrial working condition.

216T valve is in both SS 316 & AISI 1020 Carbon Steel material, alloy materials are available when required. The bar stock material for body and end cap will provide perfect mechanical properties to prevent from any defect as material producing.

The high pressure is suitable for various industries, such as water, steam, oil and gas.....

The 216T valve has both PEEK & Delrin seats for options. Delrin is economic and for room temperature, PEEK is for high pressure and high temperature condition.

Zipson also offer SS 304 ISO mounting pad as an option for customer to mount the actuator easily. The pad is also go with locking function.

For some special cases, Zipson can provide SS seat protector to keep from erosion by the high pressure when valve opening.

**SPECIFICATION**

- \* Body & end caps machined by bar stock
- \* Available in stainless or carbon steel
- \* Adjust stem packing design
- \* Blow-out proof stem design
- \* 7500 psi for 1/4" to 1"
- 6000 psi for 1-1/4" to 2"

**OPTION**

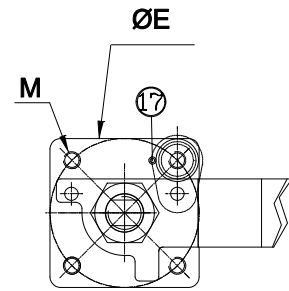
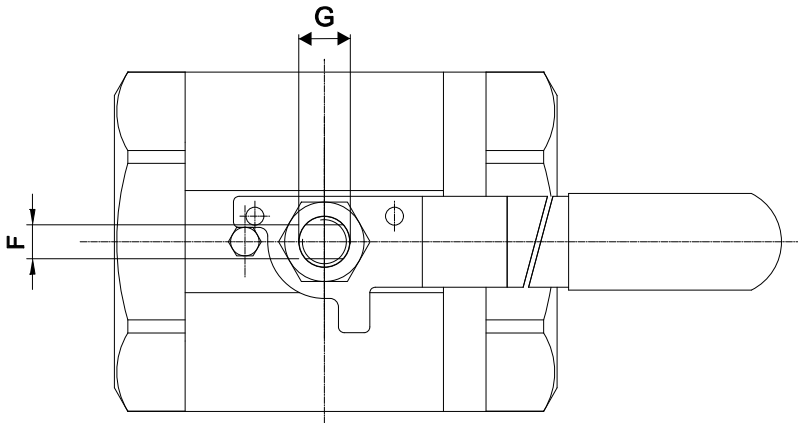
- \* ISO 5211 mounting pad with locking function
- \* Alloy materials are available when required
- \* SS Seat protector for seat erosion
- \* Fire safe design
- \* Orbital welding on body/ caps



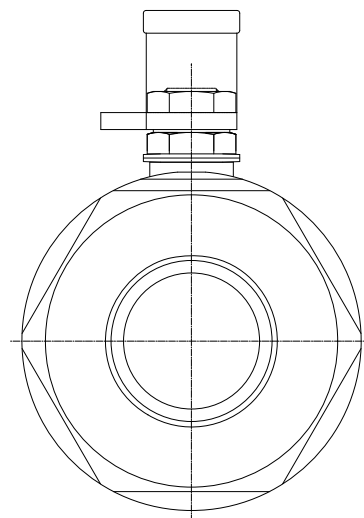
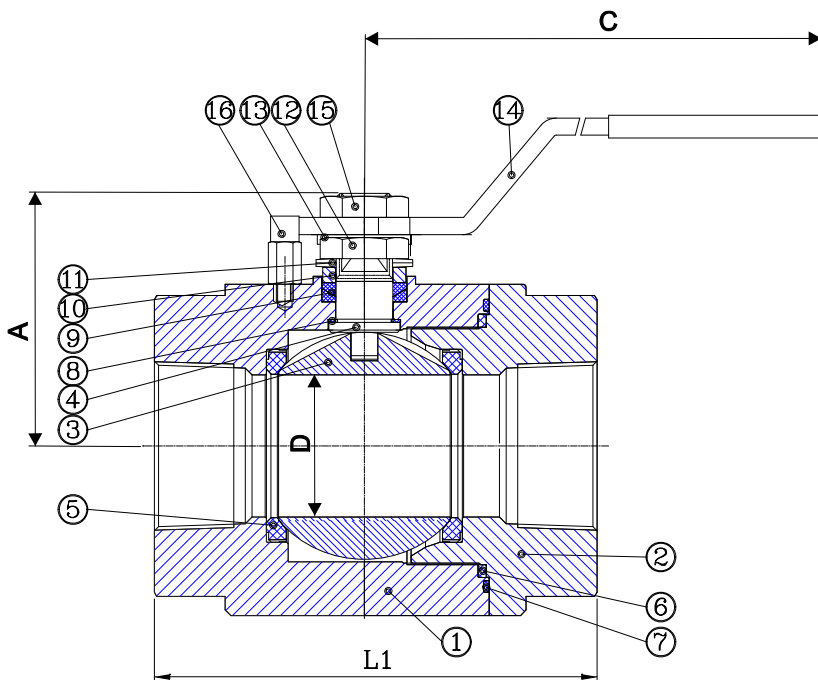
216T with handle



Seat protector for 216T is to protect the seats from damage of extreme high pressure when valve opening. The SS ring provide the strongest protection over the sets.



Option: ISO 5211 mounting pad

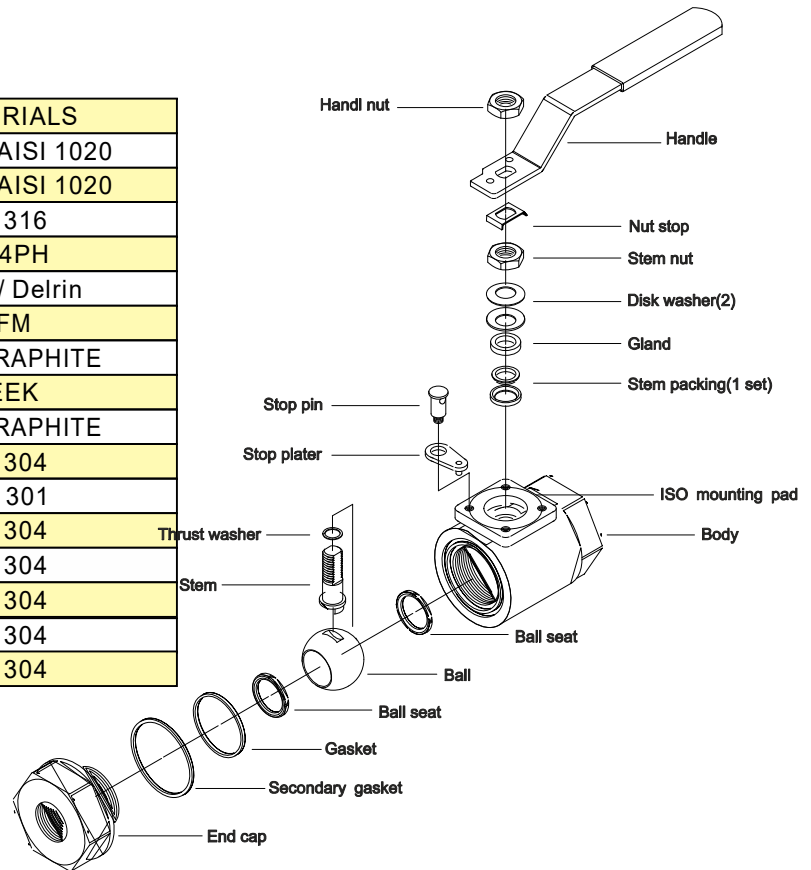


## DIMENSIONS (mm)

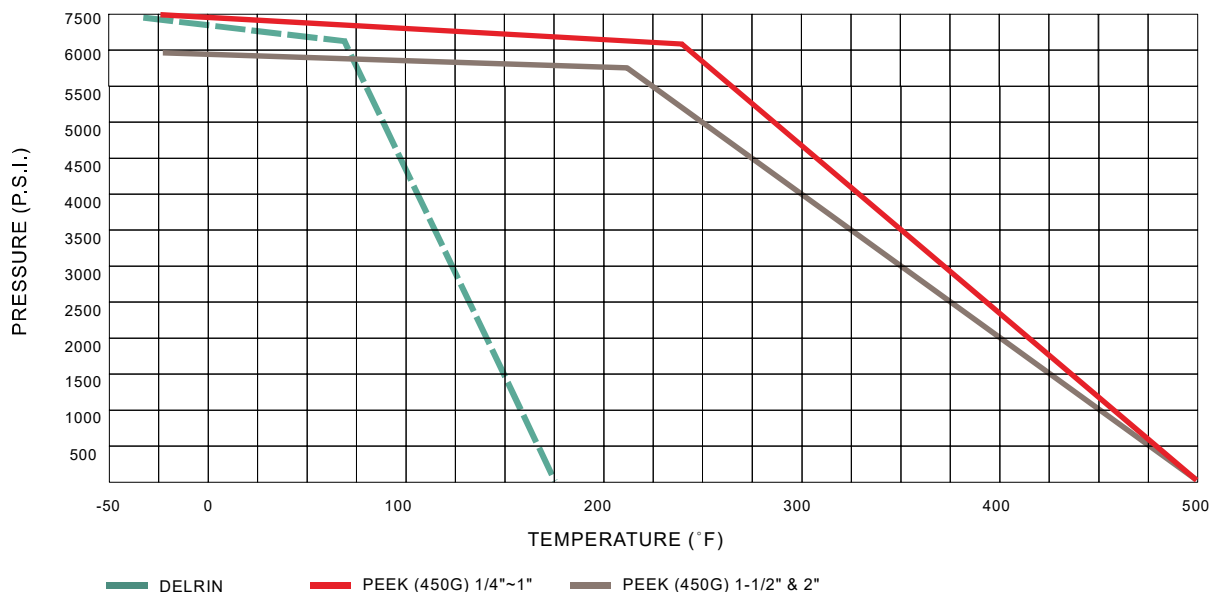
SIZE	A	C	E	M	D	F	G	L
1/4"	46	175	42	M5	15	6.3	3/8"	76
3/8"	46	175	42	M5	15	6.3	3/8"	76
1/2"	48	175	42	M5	15	6.3	3/8"	82
3/4"	59	195	42	M5	20	8	M12	100
1"	64	200	50	M6	25	9.7	M14	113
1 1/2"	90	310	50	M6	38	12	M20	135
2"	100	350	70	M8	50	12	M20	158

## MATERIALS LIST

ITEM	PART NAME	MATERIALS
1	BODY	SS 316/ AISI 1020
2	END CAP	SS 316/ AISI 1020
3	BALL	SS 316
4	STEM	17-4PH
5	SEAT	PEEK/ Delrin
6	GASKET	TFM
7	SECONDARY GASKET	TFM/ GRAPHITE
8	THRUST WASHER	PEEK
9	STEM PACKING	TFM/ GRAPHITE
10	GLAND	SS 304
11	DISK WASHER	SS 301
12	STEM NUT	SS 304
13	NUT STOP	SS 304
14	HANDLE	SS 304
15	STOP PIN	SS 304
16	STOP PLATE	SS 304



## PRESSURE/ TEMPERATURE



## TORQUE (Nm)

SIZE	SEAT	0 PSI	1000 PSI	2000 PSI	3000 PSI	4000 PSI	5000 PSI	6000 PSI
1/4"	PEEK & DELRIN	11.5	11.5	11.5	13	14	15	16
3/8"	PEEK & DELRIN	11.5	11.5	11.5	13	14	15	16
1/2"	PEEK & DELRIN	11.5	11.5	11.5	13	14	15	16
3/4"	PEEK & DELRIN	25	26	26	26	31	36	44
1"	PEEK & DELRIN	45	47	55	62	67	74	83
1 1/2"	PEEK & DELRIN	66	68	71	78	90	101	110
2"	PEEK & DELRIN	180	200	205	210	220	228	240

Note 1: Strongly suggest increasing at least 30%~40% as safety factor for choosing actuator.

### ACTUATION



### HANDLE WITH LIMIT SWITCH BOX



### 316T, 3-PC HIGH PRESSURE BALL VALVE

